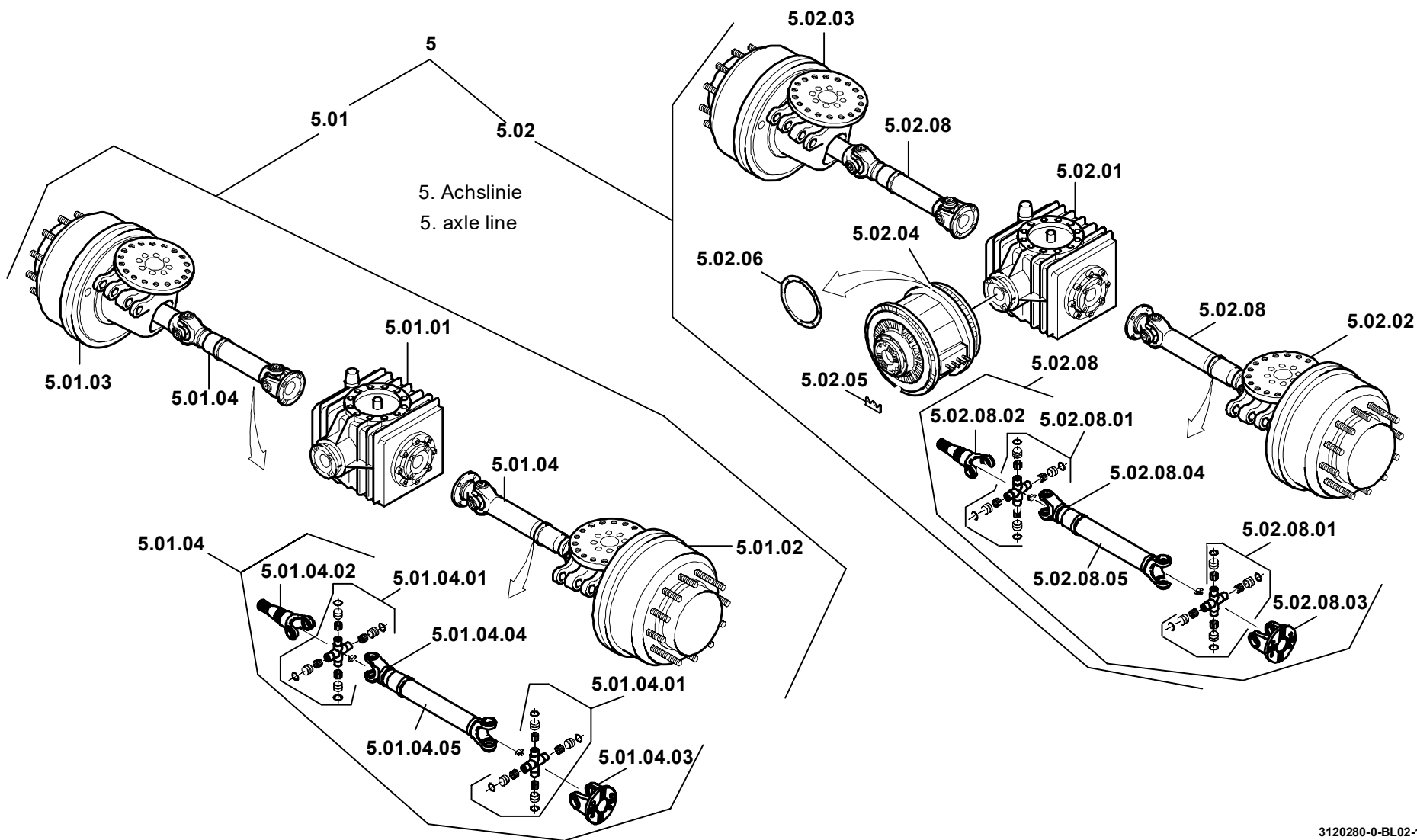


4. Achslinie
4. axle line

3. Achslinie
3. axle line
6. Achslinie
6. axle line

2. Achslinie
2. axle line

1. Achslinie
1. axle line



GROVE

ACHSANBAU (12 X 6 X 12)
 AXLE ATTACHMENT (12 X 6 X 12)

BILDТАFЕL
 PICTORIAL DISPLAY

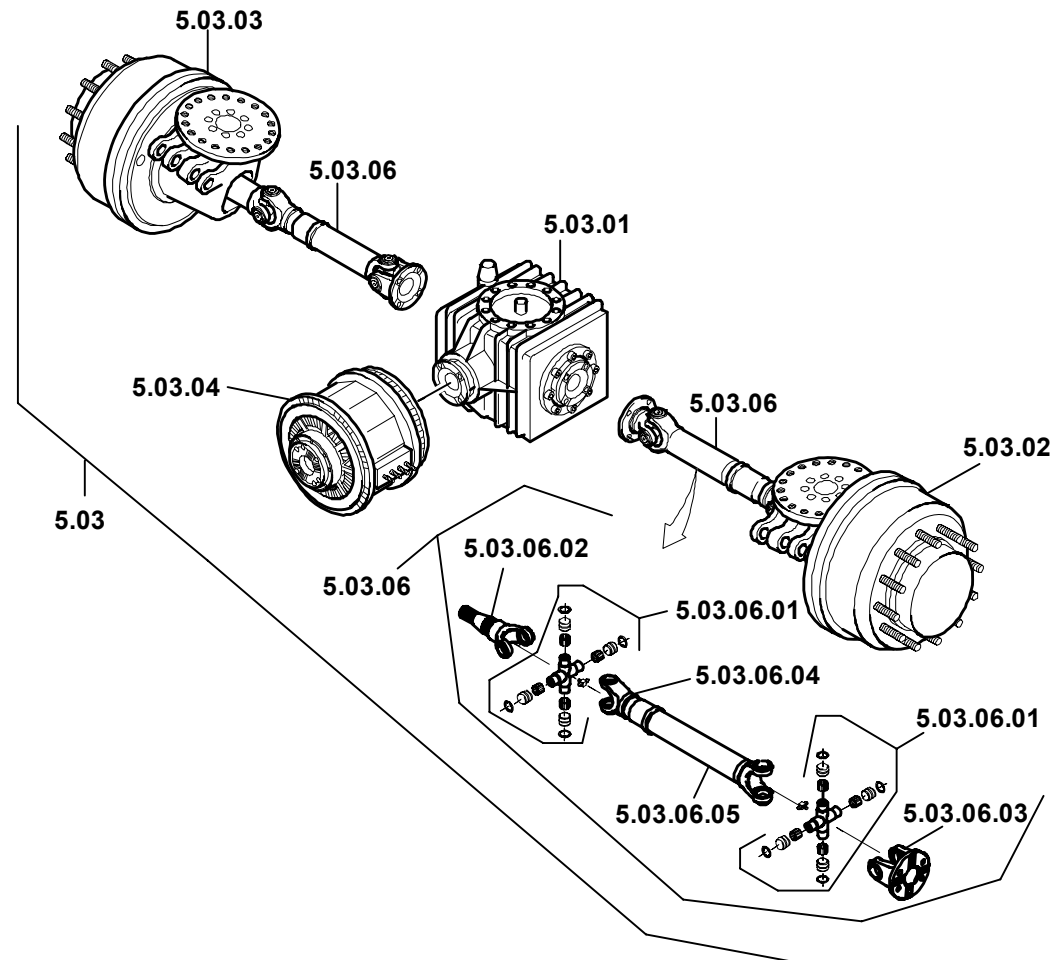
GMK 6300
BE 506
G 061

12.05

3120280-ETL #

3/4

5. Achslinie
 5. axle line



GROVE

ACHSANBAU (12 X 6 X 12)
 AXLE ATTACHMENT (12 X 6 X 12)

BILDTADEL
 PICTORIAL DISPLAY

GMK 6300
BE 506
G 061

12.05

3120280-ETL #

4/4

